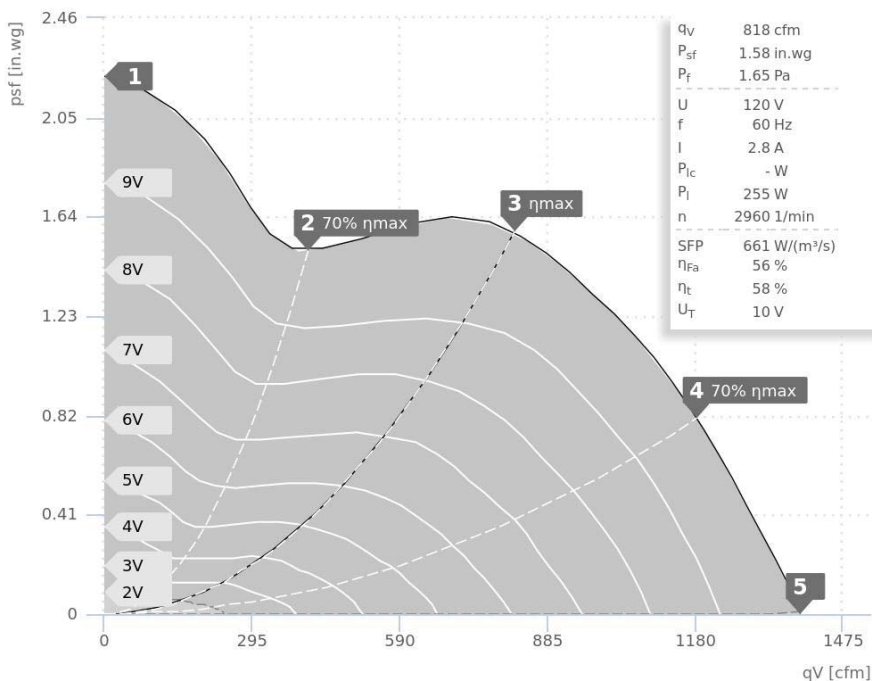


# DATA SHEET

## 12" S-Prime Evo EC | 147725



Operating Point		1	2	3	4	5
Current I	A	2,3	2,0	2,8	3,0	2,6
Power consumption P <sub>l</sub>	W	198	175	255	269	227
RPM n	1/min	2937	2953	2958	2946	2952
SPL inlet L <sub>WA5</sub>	dB(A)	77	74	74	74	75
SPL outlet L <sub>WA6</sub>	dB(A)	76	75	76	75	76
SPL casing break out L <sub>WA2</sub>	dB(A)	66	66	66	66	65

Sound power (L <sub>W</sub> ) dB(A)		Medium Frequency Band								
		Σ	63	125	250	500	1k	2k	4k	8k
Inlet	L <sub>WA5</sub>	74	40	55	68	66	69	64	63	55
Outlet	L <sub>WA6</sub>	76	41	56	70	71	71	59	59	49
Casing	L <sub>WA2</sub>	66	37	41	48	48	66	46	41	28

12" S-Prime Evo EC   147725	
Voltage U <sub>N</sub>	120 V 1~
Current I <sub>max</sub>	3,1 A
Ambient temperature t <sub>A</sub>	40 °C
Medium temperatures t <sub>M</sub>	40 °C
Speed Control	0-10V
Motor protection	TEC
Insulation class motor	F
Weight	11,7 kg
Poles	-
IP motor	IP30
IP terminal box	IP44
Min. operating temperature	-30 °C

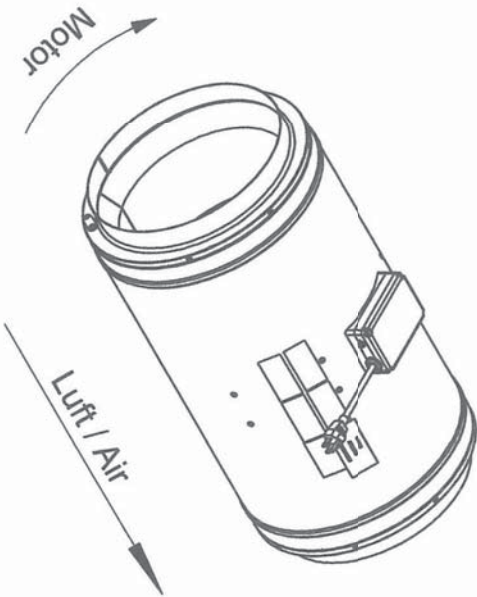
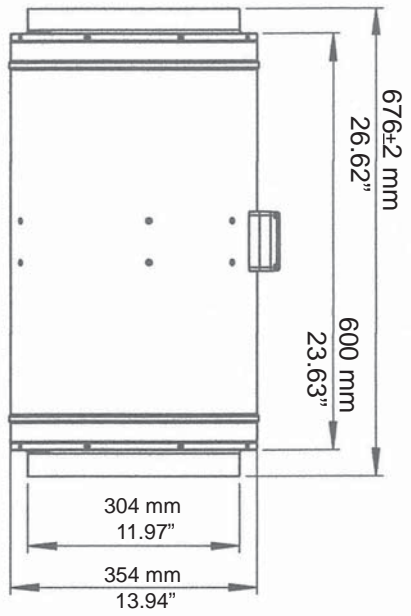
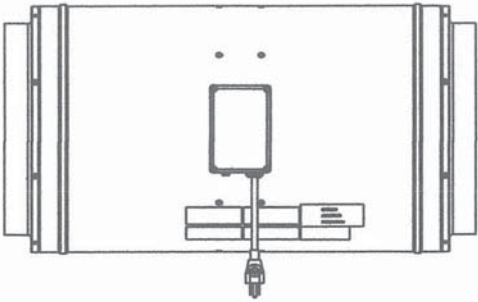
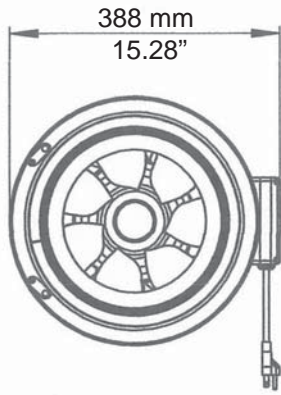
### Ruck Air Movement - Master Series by



2082 58th Ave. Circle E.  
Bradenton, FL 34203

Phone: 941.739.0879  
Fax: 941.739.0881

www.mastervent.com marion.pye@mastervent.com



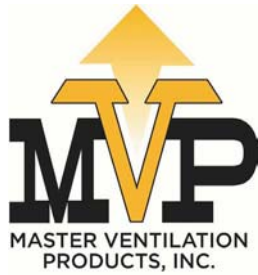
MASTER VENTILATION  
PRODUCTS, INC.

www.mastervent.com  
marion.pye@mastervent.com

2082 58th Ave. Circle E.  
Bradenton, FL 34203

Phone: 941.739.0879  
Fax: 941.739.0881

12" S-Prime EVO EC 147725



**SUBMITTAL DATA and SPECIFICATIONS for MVP/RAM SERIES**

**SERIES: Mixed Flow**

**S-Prime EVO EC Models**

**Application:** Inline Mixed Flow Fans/Blowers with Sound Insulation designed for Whisper Quiet supply/exhaust applications in Residential, Commercial, Light Industrial and OEM Market.

**Manufacturer:** Ruck (EU)

**Material of Construction:** All models shall be constructed Galvanized Steel for the Housing and Impeller. All housings shall include Sound Insulation for very low sound.

**Impeller:** Impeller shall be Precision Computer Designed Efficient Mixed Flow Style.

**Material Temperature Limitations:** Shall be 40C/104F Ambient and Medium.

**Motors:** Shall be energy efficient EC motors and Speed Controllable with 0 to 10V DC Signals. EC Motors shall be 120V /1/60 Hz AC for Models 6” S-Prime EVO EC through 14” S-Prime EVO EC and 240V/1/60 Hz AC for Model 14” S-Prime EVO EC HO. Motors shall be rated Continuous Duty with sealed for life Maintenance Free Ball Bearings. Motors shall Thermally Protected. Motor shall be in airstream for efficient heat dissipation and will be encased in Housing Material of Construction.

**Mounting Bracket:** Shall be included and integral with Each Model as Standard.

**Safety Certifications:** All fans shall conform to ANSI/UL 507 Standard and Certified to Canada Standard C22,2 NO. 113. Intertek 5014371. Fans shall bear the C ETL US Mark on Fan Label.

**Performance and Sound Certification:** Shall be certified to ISO 5801 Standards.

PROJECT				ARCHITECT				
CONTRACTOR		DATE	SUBMITTED BY		ENGINEER			
<b>SPECIFICATION</b>								
Fan Position	Model #	CFM	In. WG	RPM	Watts	Voltage / Phase	Qty	Accessories

**WARNING: DO NOT USE IN HAZARDOUS ENVIRONMENTS WHERE FAN’S ELECTRICAL SYSTEM COULD PROVIDE IGNITION TO COMBUSTIBLE OR FLAMMABLE MATERIALS!**